



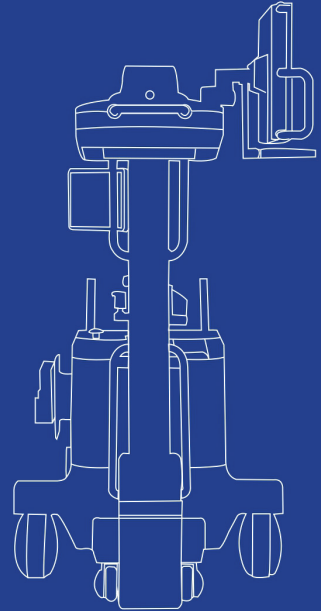
# Wiseye PLX118C series

Mobile Digital FPD C-arm System



Version: 01 June 2021

TECH  
CONTRIBUTE  
HEALTH



THAI MEDICALS TRADING CO.,LTD

Address : 67/17 Moo.1 Mahasawat, Phutthamonthon Nakhonpathom 73170 Thailand

Tel: +66 81-3451047 Web: [www.tmt-med.com](http://www.tmt-med.com),[www.thaimedicaltrading.co.th](http://www.thaimedicaltrading.co.th) E-mail : [infinity\\_bio@hotmail.com](mailto:infinity_bio@hotmail.com)

# Less is more

Always remind safety through the exposure status indicator.



32-inch LCD monitor, large-size, large-angle and ultra-wide screen display.



Touch screen, 270° rotation, 30° elevation angle, convenient operation.

Dynamic flat panel detector, high DQE, low noise creates clearer images.

## New integrated design

The integrated design of C-arm and workstation, compact frame structure, small space occupation, flexible and light movement. It can be operated by a single person and is suitable to use in crowded operating rooms, saving operating room space and facilitating doctors' clinical operations.

Dual foot switch, easy to operate.

Standby design without power connection to improve work efficiency.

High-quality integrated X-ray generator.

THAI MEDICALS TRADING CO.,LTD

Address : 67/17 Moo.1 Mahasawat, Phutthamonthon Nakhonpathom 73170 Thailand

- 01 - Tel: +66 81-3451047 Web: www.tmt-med.com,Web: www.thaimedicaltrading.co.th E-mail : infinity\_bio@hotmail.com



# More flexibility, More possibilities

## Indifferent equilibrium design

The C-arm frame can be hovered at any angle in the unlocked state to ensure safe and stable operation of the equipment.

## 32-inch ultra-wide screen display

The large-size 4K LCD display creates clear and delicate images; the display can be rotated at a large angle to meet the needs of clinical observation of images from multiple angles.

## Touch screen

Equipped with high-quality and large-size touch operation screen, high sensitivity, flexible rotation, convenient for clinicians to perform touch operation from all angles of the machine.

## One key switch

With a single push-button to switch on/off, it simplifies the operation, which greatly improves security and efficiency during clinical use.

## Standby design without power connection

The machine can realize the transition between multiple operating rooms without power connection, which improves the working efficiency of the machine.

## Two-way laser positioning

Equipped with laser positioning systems at both ends of the tube and flat panel detectors to meet different positioning requirements.



# Sharp in every image, Care for every clinicians

## Dynamic flat panel detector

Equipped with a 9 inches \* 9 inches flat panel detector, output grayscale 16bit, high DQE, low noise, dynamic range promotion, superior imaging performance, clear images, and meet various clinical examination needs.

## High frequency inverter technology

The ray waveform is a rectangular wave with low scattered rays, which prevents the generation of soft rays from the source, ensures the ray dose control, and effectively cares for the health of doctors and patients.

## Virtual collimators

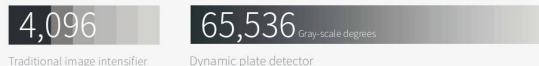
The virtual collimators design can realize the adjustment of the size of the exposure range to reduce the radiation caused by repeated clinical exposure in a wireless state. And automatically adjust the size and location of the image interest area, using the automatic mode is more accurate.

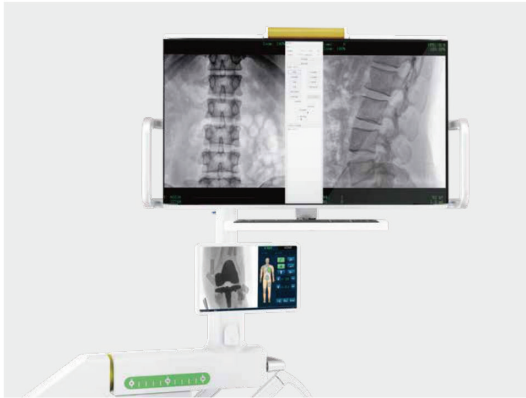
## Pluggable grid

The pluggable design of the grid complies with national industry standards and is used in pediatrics and other dose-sensitive applications. Easy to use, while ensuring clear images, it can effectively protect against radiation hazards.

## Intelligent frequency conversion technology

Automatically adjust the image frame rate according to the body part and the radiation dose to reduce the radiation dose while ensuring the image quality.





### Intelligent image processing technology

Intelligent real-time image processing technology automatically analyzes images and performs enhancement processing, reducing tedious operations when processing images in clinical applications. Provide high-quality images quickly and complete clinical work efficiently.

### 1 second imaging

The design of images coming out within 1 second can save doctors' waiting time in the clinical application process, thereby improving work efficiency.

### DAP

DAP can be directly displayed during use to protect the health of doctors and patients.

### Wireless exposure function

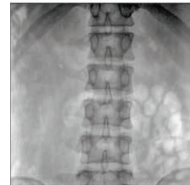
Wireless exposure footprint to achieve compartment exposure.

THAI MEDICALS TRADING CO.,LTD

Address : 67/17 Moo.1 Mahasawat, Phutthamonthon Nakhonpathom 73170 Thailand

- 07 - Tet: +66 81-3451047 Web: www.tmt-med.com, Web: www.thaimedicaltrading.co.th E-mail : infinity\_bio@hotmail.com

## Clinical Image



Lumbar vertebrae



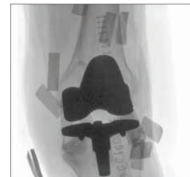
Lateral lumbar



Hip orthosis



Lateral cervical



Knee joint



Lateral ankle